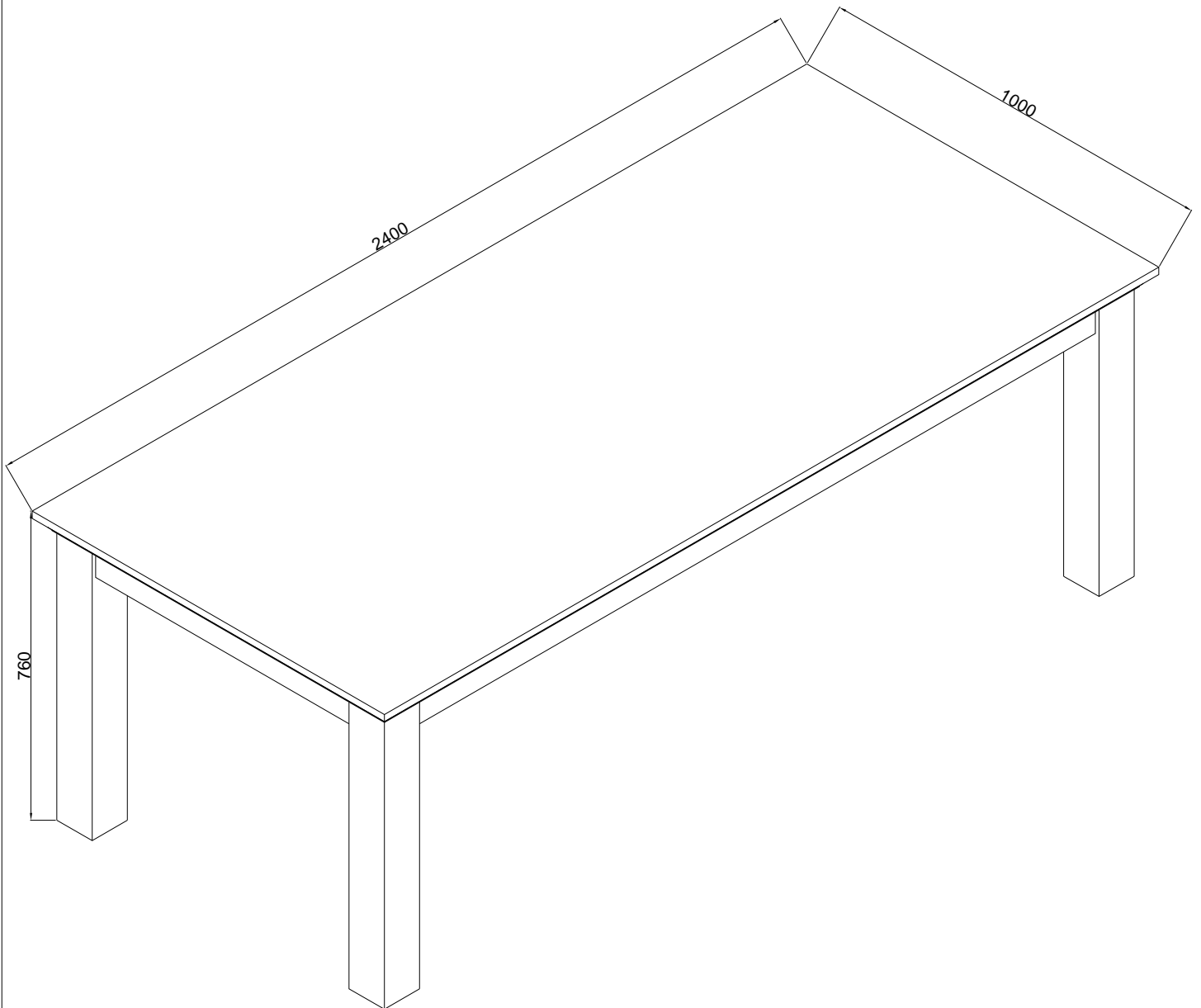




**ASSEMBLY INSTRUCTION
CHARLSBOURG 2400 DINING TABLE
ITEM CODE - 83244**

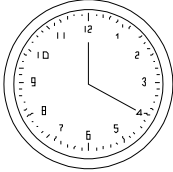



Imported by Amart Furniture Pty Ltd, Qld, Brisbane Australia.
for any assistance to assembly or for missing parts please phone
Amart Furniture, Customer Service Freecall 1800 351 084

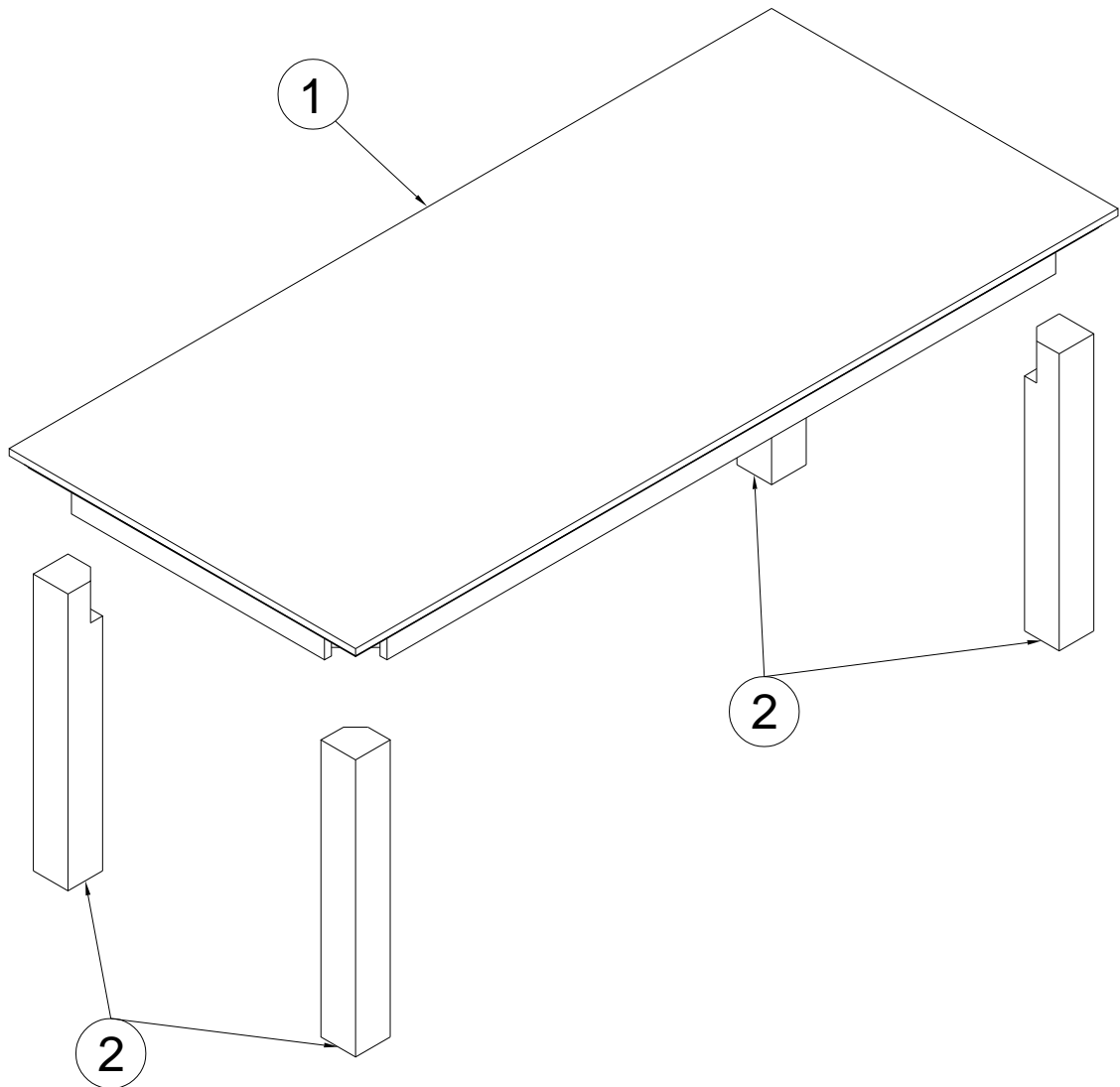
PRE-ASSEMBLY PREPARATION

BEFORE YOU START :




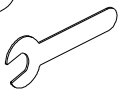
1. Choose a clean, level, spacious assembly area. Avoid hard surfaces that may damage the product
2. Take care when lifting. Product should be assembled as near as possible to the point of use
3. Ensure that you have all required contents for complete assembly
4. Always read the assembly instructions carefully before beginning assembly.
5. Keep all hardware parts and packaging out of reach of small children.
6. Do not over tighten the screws and bolts as this may damage the threads

	
ALLOW 20 MINUTES	2 PEOPLE REQUIRED
ADDITIONAL TOOLS REQUIRED	

PARTS LIST

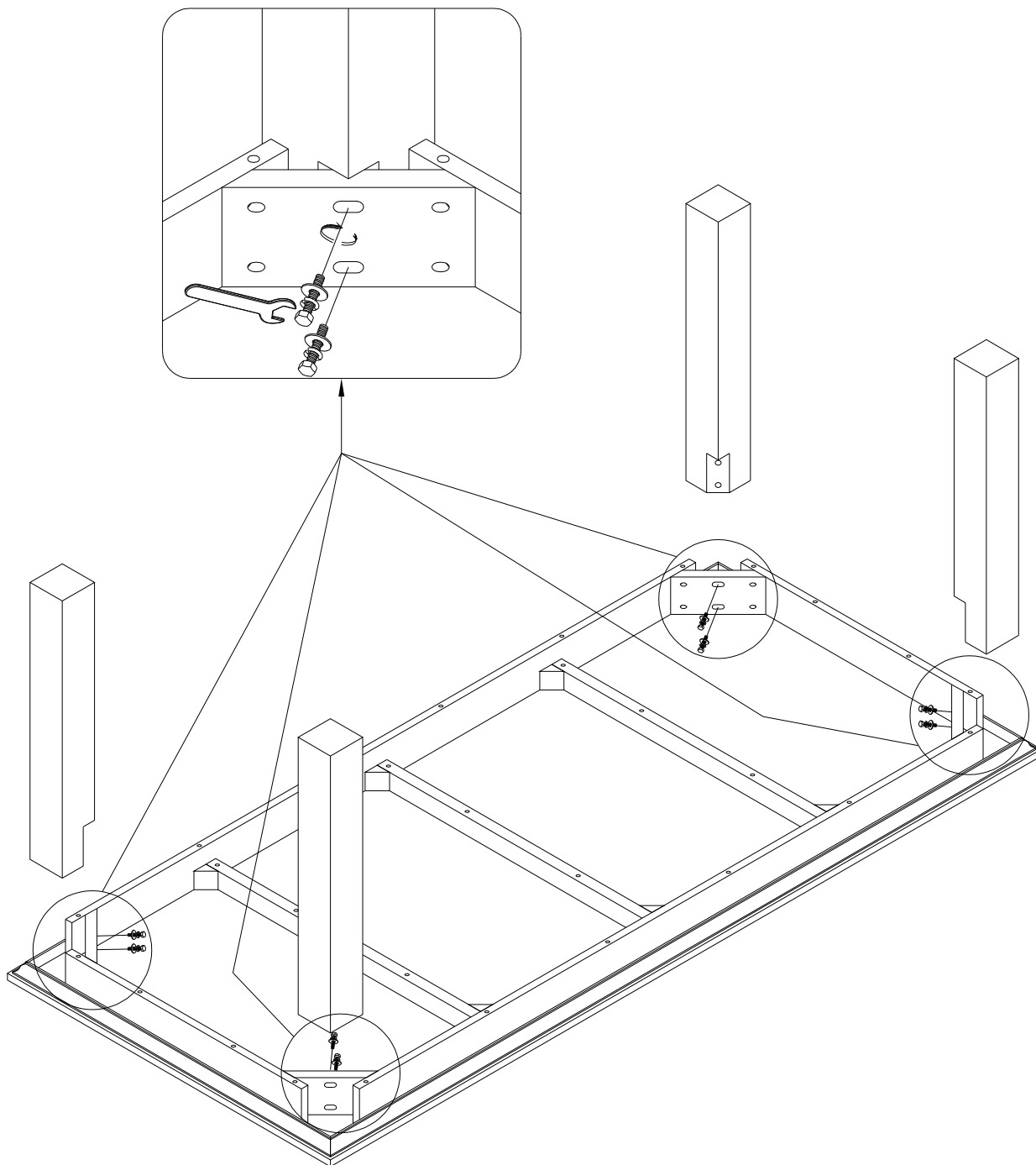


1	TOP	1 PC	2	LEG	4 PCS
---	-----	------	---	-----	-------





<p>A BOLTS</p>  <p>M10x60: 8 pcs</p>	<p>B FLAT WASHER</p>  <p>Ø10xØ30x1.2: 8 pcs</p>	<p>C SPRING WASHER</p>  <p>Ø10xØ14x1.2: 8 pcs</p>	<p>D SPANNER</p>  <p>M17: 1 pc</p>
--	---	---	--

Step 1 :

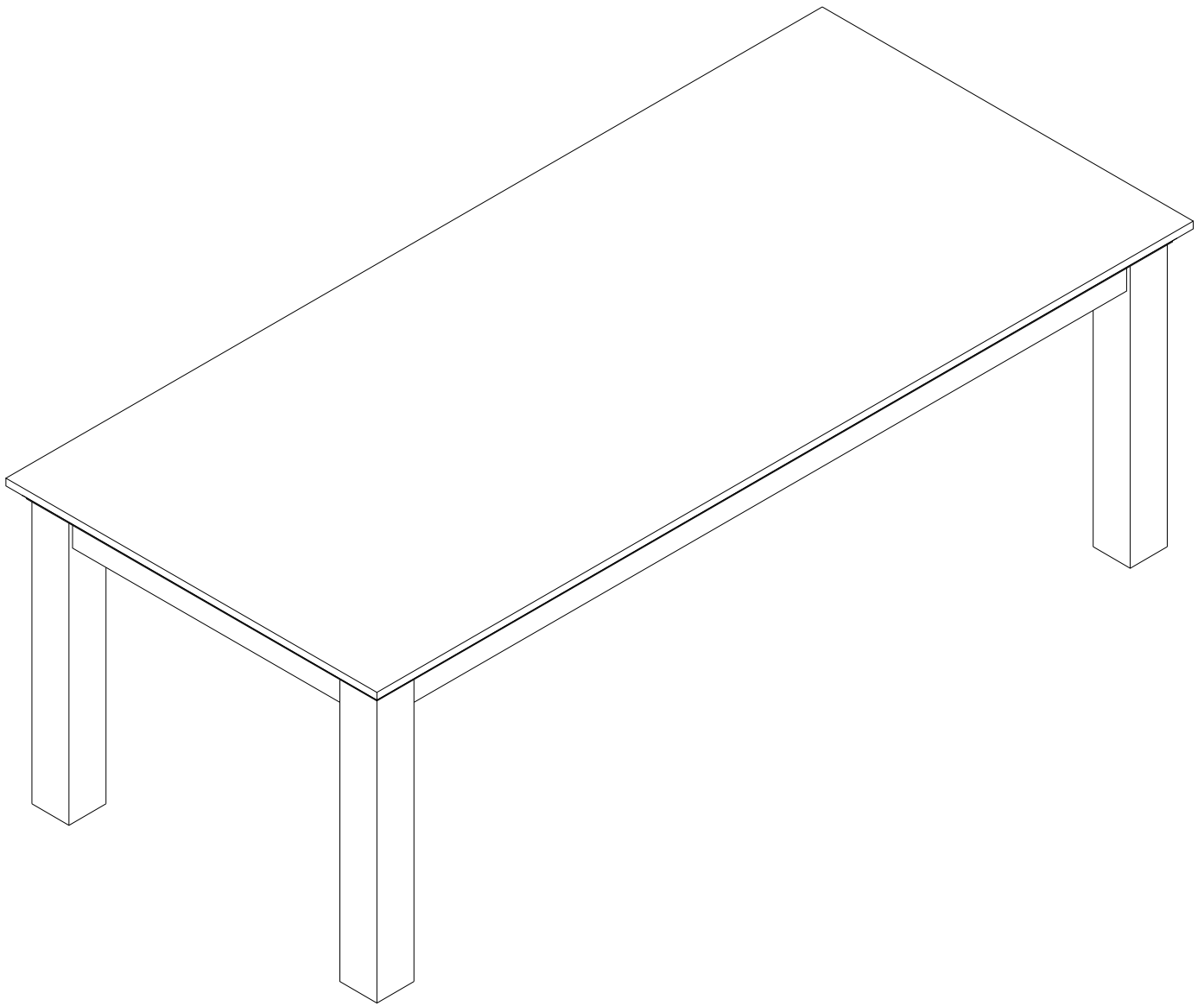
- Attach the Top (1) to the Leg (2). Using Bolts (A), Spring Washer (C), Flat Washer (B) and tighten with Spanner (D).



NOTE: ALWAYS USE TWO PEOPLE WHEN TURNING THE TABLE OVER

A BOLTS  M10x60: 8 pcs	B FLAT WASHER  Ø10xØ30x1.2: 8 pcs	C SPRING WASHER  Ø10xØ14x1.2: 8 pcs	D SPANNER  M17: 1 pc
--	---	---	--

ASSEMBLY COMPLETE



DO NOT PUSH OR DRAG THIS TABLE - by doing so, it may cause damage to the legs.

DO NOT SIT OR LEAN ON THE EDGE OF THE TABLE - this may cause the table to tip to one side.



Product : **CHARLSBOURG 2400 DINING TABLE**
Item Code : **83244**

Product Care:

As your timber is supplied from sustainable forests there will be natural variations in surface texture and grain like knots, mineral streaks and sap runs that may affect the finish. These differences in character are not defects, but distinctions that make each piece of furniture unique. Our furniture is built to last. Following these steps for basic care should protect your investment for years to come.

- Dust frequently with a clean damp lint-free cloth. This will help remove abrasive build up which can damage a finish over time.
- Do not place hot objects on any furniture surface. Always use a hot plate or placemat. Laminate and lacquer finishes on table tops provide added scratch and heat resistance to our furniture, but they can still be damaged without proper care.
- Avoid exposing your furniture to strong sunlight, heat outlet, open windows or dampness. Prolonged exposure to direct sunlight can fade the finish of your furniture, while extreme temperature and humidity changes can cause cracking or splitting.
- Do not expose your furniture to any liquids. Never allow water to sit on your furniture. Alcohol, nail polish and perfume are also dangerous as they will dissolve the lacquer finish on contact and may require professional repairs.
- Do not allow plastic to come in direct contact with your furniture. Chemicals in the plastic of placemats etc may soften and mark the finish if left in contact with the furniture for a period of time.